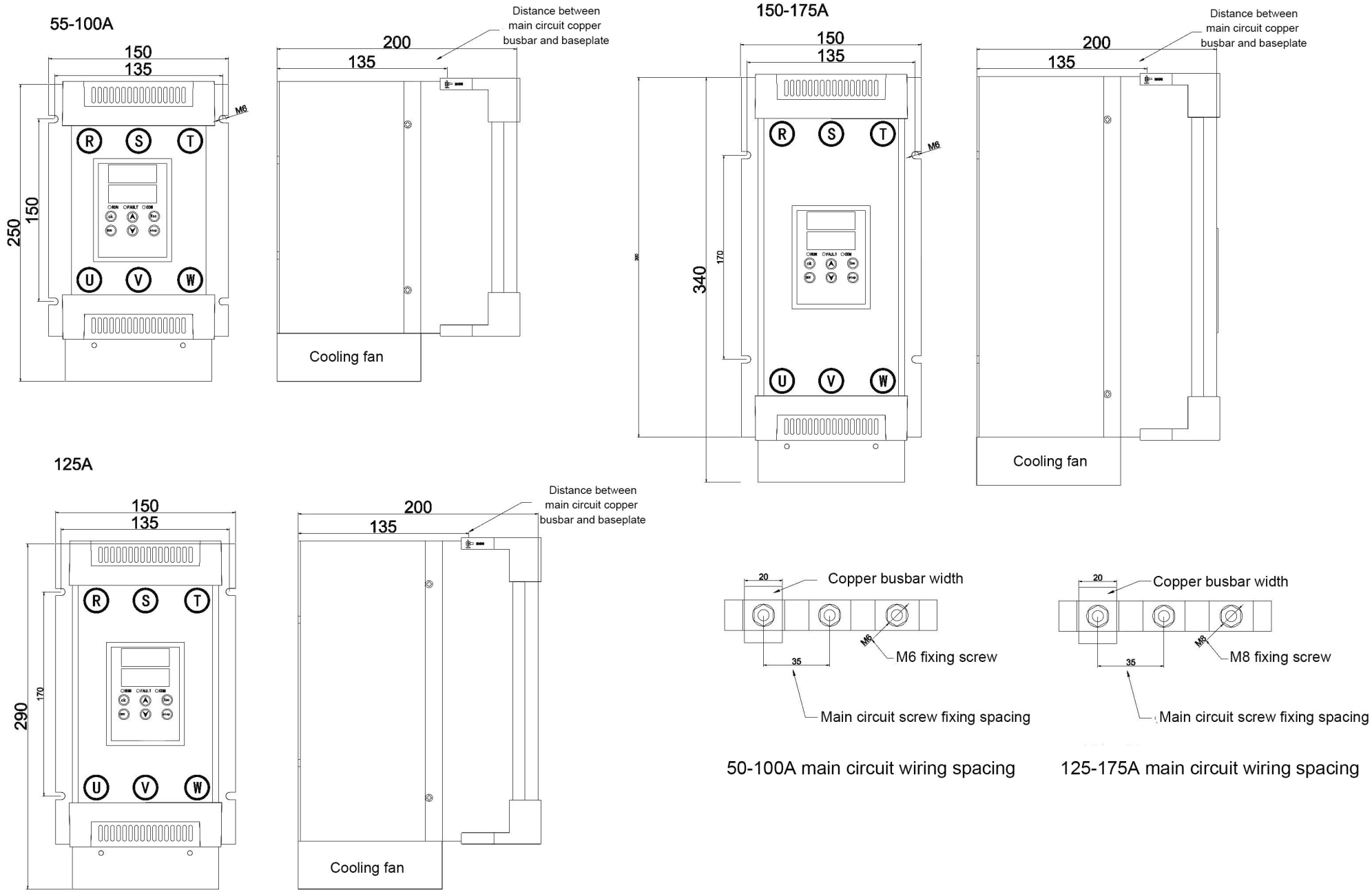
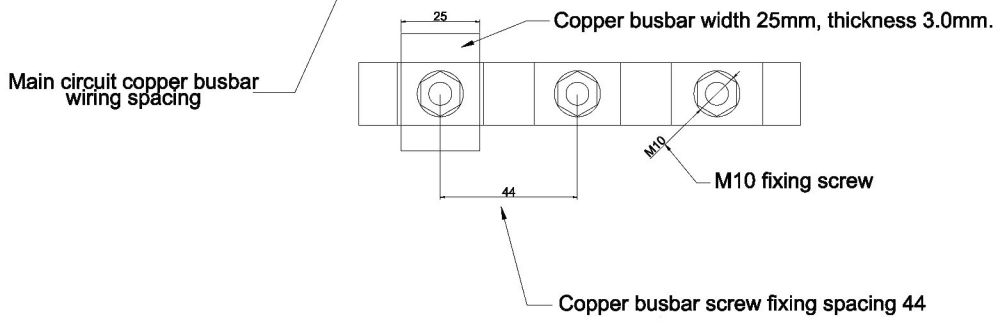
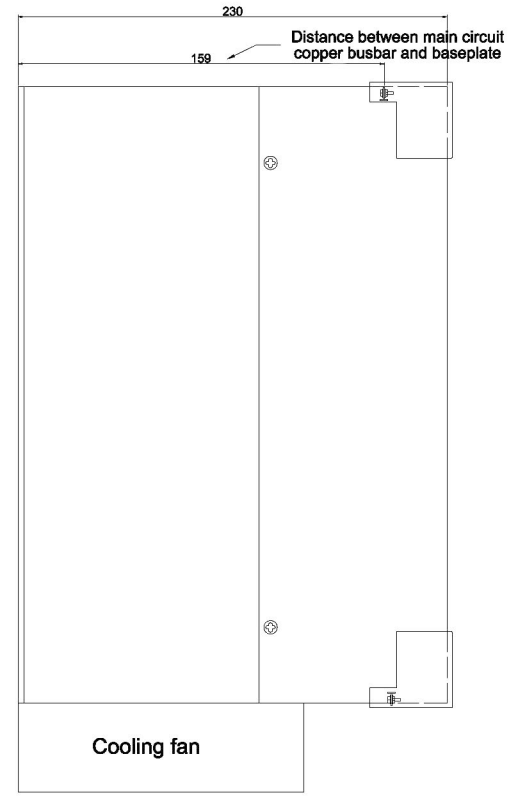
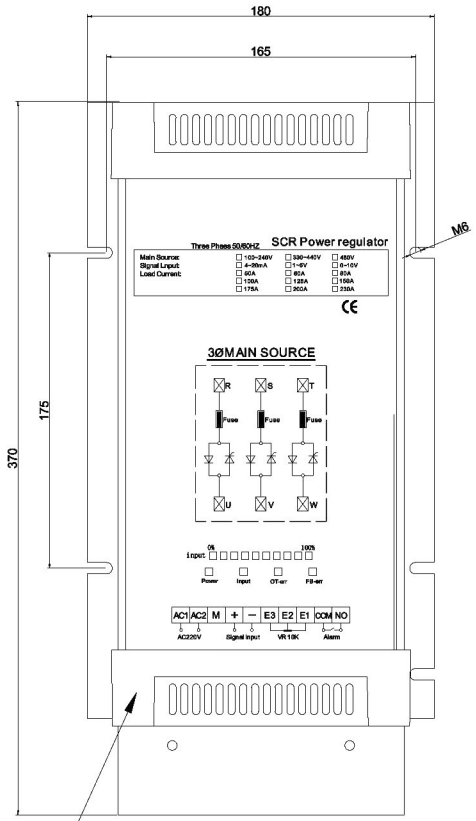


25-50A main circuit wiring spacing

LSCRTM 25-50A SCR Power Regulator Dimension



LSCRTM 55-175A SCR Power Regulators Dimensions



LSCRTM 200A SCR Power Regulator Dimension