

Lorentzzi Safety Relay Data Sheet



豆包AI生成

Wenzhou Lorentzzi Electric Co.,Ltd

Address: No. 19, Wangyan Road, Liushi, Yueqing City, Wenzhou, Zhejiang, China, 325604.

Introduction:

This safety relay uses high-quality copper components, making it durable. The terminals have internal wires for easier installation, and it is heat and cold resistant, meeting the needs of different environments.

Parameters:

Model	SC4P2A1B22	SC4P2A1B24
Output Contact	2*NO, 1*NC	2*NO, 1*NC
Reset Mode	Manual or Automatic	Manual or Automatic
Power Supply	DC/AC85-264V	DC24V
Power Consumption	3W	3W
Mean Time to Dangerous Failure (MTTF)	60a	111a
Dangerous Failure Rate per Hour	4.7×10^{-8}	2.5×10^{-8}
Switching Capacity	AC-15, 5A/250V; DC-13, 6A/24V	AC-15, 5A/250V; DC-13, 6A/24V
Release Buffer Time	<15MS	<15MS
Diagnostic Coverage	>99%	>99%
Protection Class	IP50	IP50
Operating Temperature	-10~+55°C	-10~+55°C
Storage Temperature	-40~+85°C	-40~+85°C
Wire Cross-sectional Area	Max. 2.5mm ²	Max. 2.5mm ²
Cable Length	Max. 100mm	Max. 100mm
Dimensions	97(L)x23(W)x116(H)mm	97(L)x23(W)x116(H)mm
Compliance Standards	EN 60947-5-1, EN 61000-6-2, EN 61000-6-3, IEC/EN 60204-1, EN ISO 13849-1	EN 60947-5-1, EN 61000-6-2, EN 61000-6-3, IEC/EN 60204-1, EN ISO 13849-1

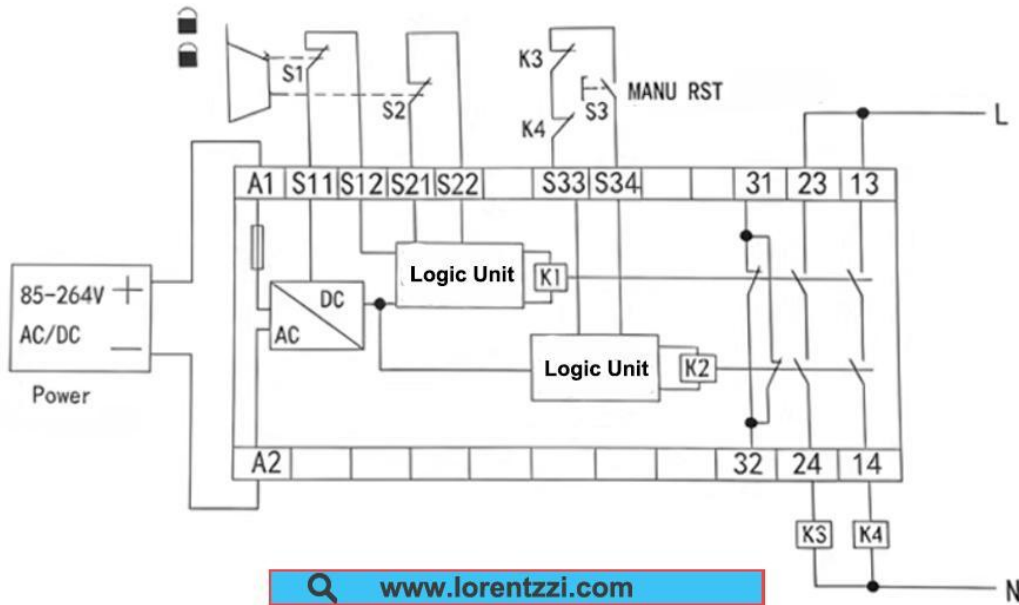
Model	SC4P3A1B24	SC4P2A1B24N/P
Output Contact	3*NO, 1*NC	2*NO, 1*NC
Reset Mode	Manual or Automatic	Manual or Automatic
Power Supply	DC24V	DC24V
Power Consumption	3W	3W
Mean Time to Dangerous Failure (MTTFd)	111a	374a
Dangerous Failure Rate per Hour	2.5×10^{-8}	2.6×10^{-8}
Switching Capacity	AC-15, 5A/250V; DC-13, 6A/24V	AC-15, 5A/250V; DC-13, 6A/24V
Release Buffer Time	<15ms	<15ms
Diagnostic Coverage	>99%	>99%
Protection Class	IP50	IP50
Operating Temperature	-10 ~ +55°C	-10 ~ +55°C
Storage Temperature	-40 ~ +85°C	-40 ~ +85°C
Wire Cross-sectional Area	Max. 2.5mm ²	Max. 2.5mm ²
Cable Length	Max. 100mm	Max. 100mm
Dimensions	97(L)×23(W)×116(H)mm	97(L)×23(W)×116(H)mm
Compliance Standards	EN 60947-5-1, EN 61000-6-2, EN 61000-6-3, IEC/EN 60204-1, EN ISO 13849-1	EN 60947-5-1, EN 61000-6-2, EN 61000-6-3, IEC/EN 60204-1, EN ISO 13849-1

Model	SC4P2A1B24C	SC4P2A1B24S
Output Contact	2*NO, 1* N/C	2*NO, 1*NC
Reset Mode	Manual or Automatic	/
Power Supply	DC24V	DC24V
Power Consumption	3W	3W
Mean Time to Dangerous Failure (MTTFd)	94a	111a
Dangerous Failure Rate per Hour	2.0×10^{-8}	2.0×10^{-8}
Switching Capacity	AC-15, 5A/250V; DC-13, 6A/24V	AC-15, 5A/250V; DC-13, 6A/24V
Release Buffer Time	<15ms	<15ms
Diagnostic Coverage	>99%	>99%
Protection Class	IP50	IP50
Operating Temperature	-10 ~ +55°C	-10 ~ +55°C
Storage Temperature	-40 ~ +85°C	-40 ~ +85°C
Wire Cross-sectional Area	Max. 2.5mm ²	Max. 2.5mm ²
Cable Length	Max. 100mm	Max. 100mm
Dimensions	97(L)×23(W)×116(H)mm	97(L)×23(W)×116(H)mm
Compliance Standards	EN 60947-5-1, EN 61000-6-2, EN 61000-6-3, IEC/EN 60204-1, EN ISO 13849-1	EN 60947-5-1, EN 61000-6-2, EN 61000-6-3, IEC/EN 60204-1, EN ISO 13849-1

Model	SC4P2A1B24N/P-M	SC2P4A24
Output Contact	2*NO, 1*NC	4*NO
Reset Mode	Manual or Automatic	/
Power Supply	DC24V	DC24V
Power Consumption	3W	3W
Mean Time to Dangerous Failure (MTTFd)	111a	374a
Dangerous Failure Rate per Hour	2.0×10^{-8}	2.5×10^{-8}
Switching Capacity	AC-15, 5A/250V; DC-13, 6A/24V	AC-15, 5A/250V; DC-13, 6A/24V
Release Buffer Time	<15ms	<15ms
Diagnostic Coverage	>99%	>99%
Protection Class	IP50	IP50
Operating Temperature	-10 ~ +55°C	-10 ~ +55°C
Storage Temperature	-40 ~ +85°C	-40 ~ +85°C
Wire Cross-sectional Area	Max. 2.5mm ²	Max. 2.5mm ²
Cable Length	Max. 100mm	Max. 100mm
Dimensions	97(L)×23(W)×116(H)mm	97(L)×23(W)×116(H)mm
Compliance Standards	EN 60947-5-1, EN 61000-6-2, EN 61000-6-3, IEC/EN 60204-1, EN ISO 13849-1	EN 60947-5-1, EN 61000-6-2, EN 61000-6-3, IEC/EN 60204-1, EN ISO 13849-1, EN ISO 13849-1, EN ISO 13849-1, EN ISO 574

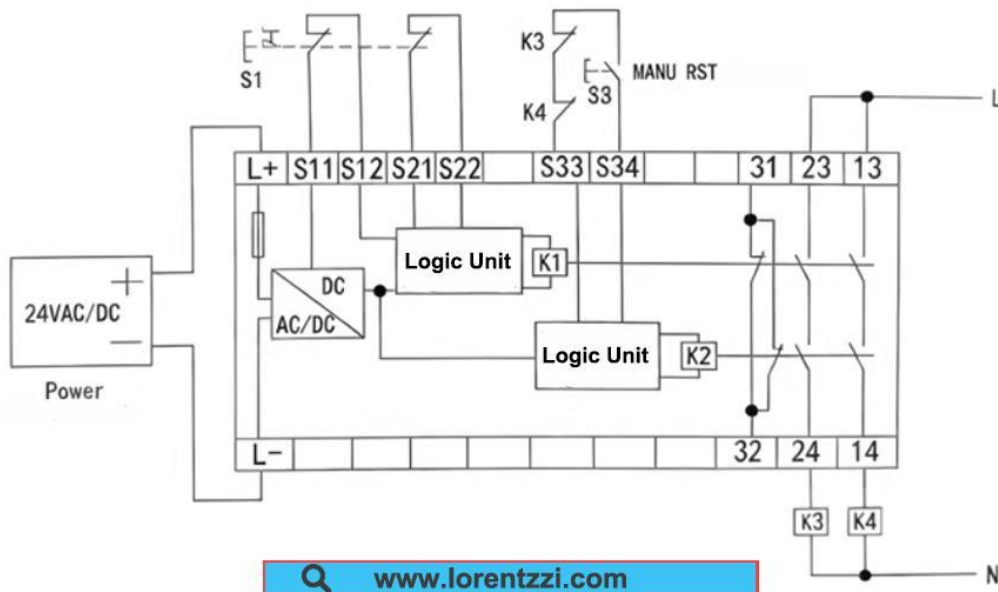
SC4P2A1B22 Model Safety Relay And Safety Door Wiring Diagram:

When wiring SC4P2A1B22/24 to the safety door, shorting S3 activates automatic reset.



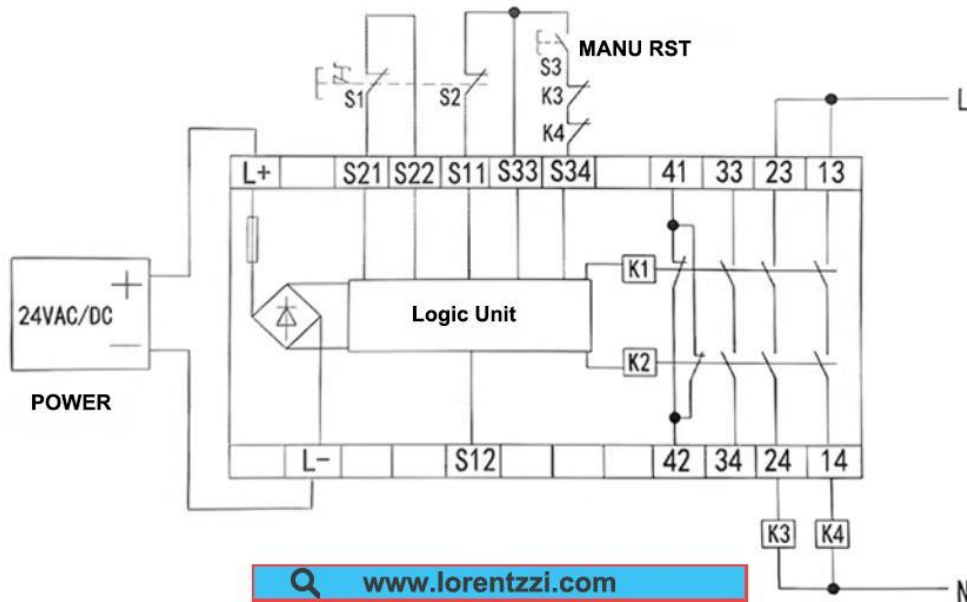
SC4P2A1B24 Model Safety Relay And Safety Door Wiring Diagram:

When wiring SC4P2A1B22/24 to the safety door, shorting S3 activates automatic reset.

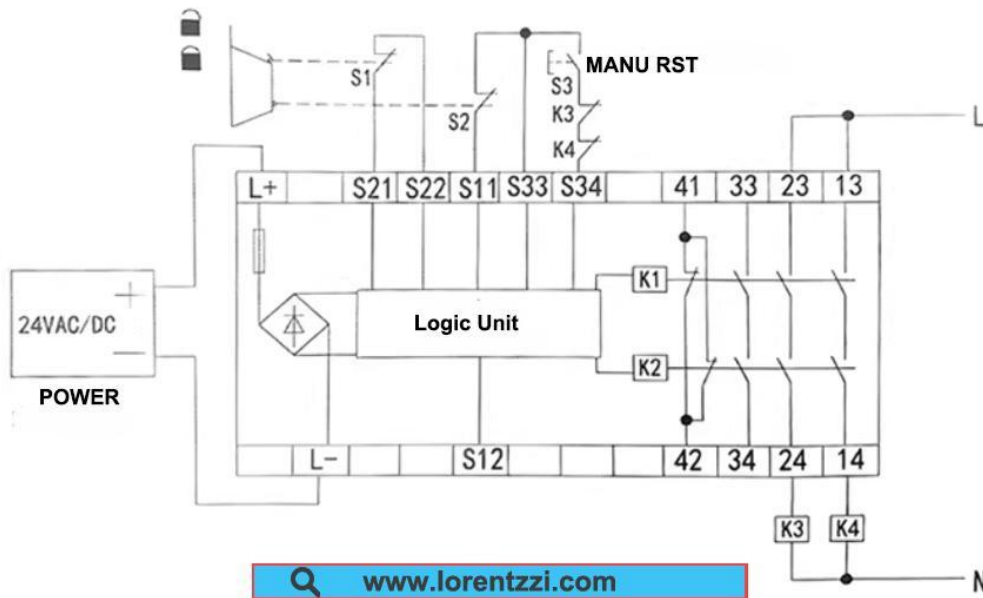


SC4P3A1B24 Model Safety Relay And Emergency Stop Button Wiring Diagram:

When wiring SC4P3A1B24 to the emergency stop button, shorting S3 activates automatic reset.

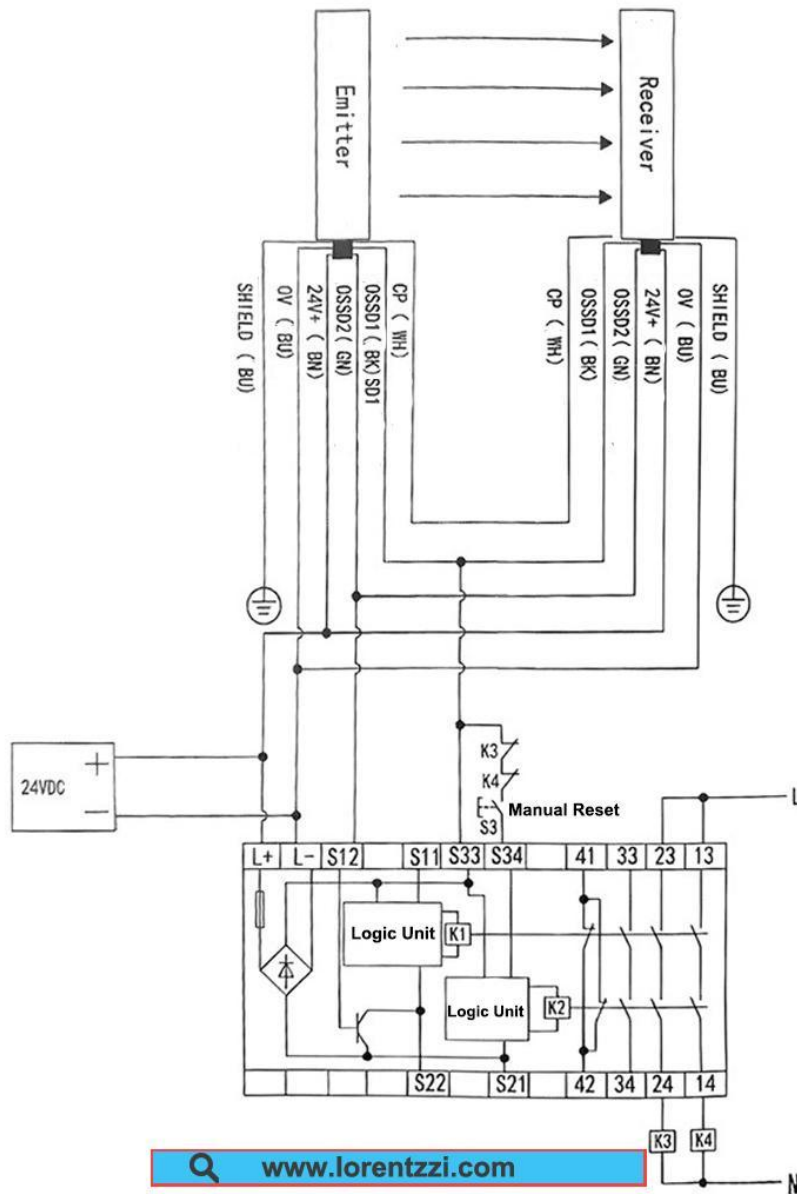


When wiring SC4P3A1B24 to the safety door, shorting S3 activates automatic reset.

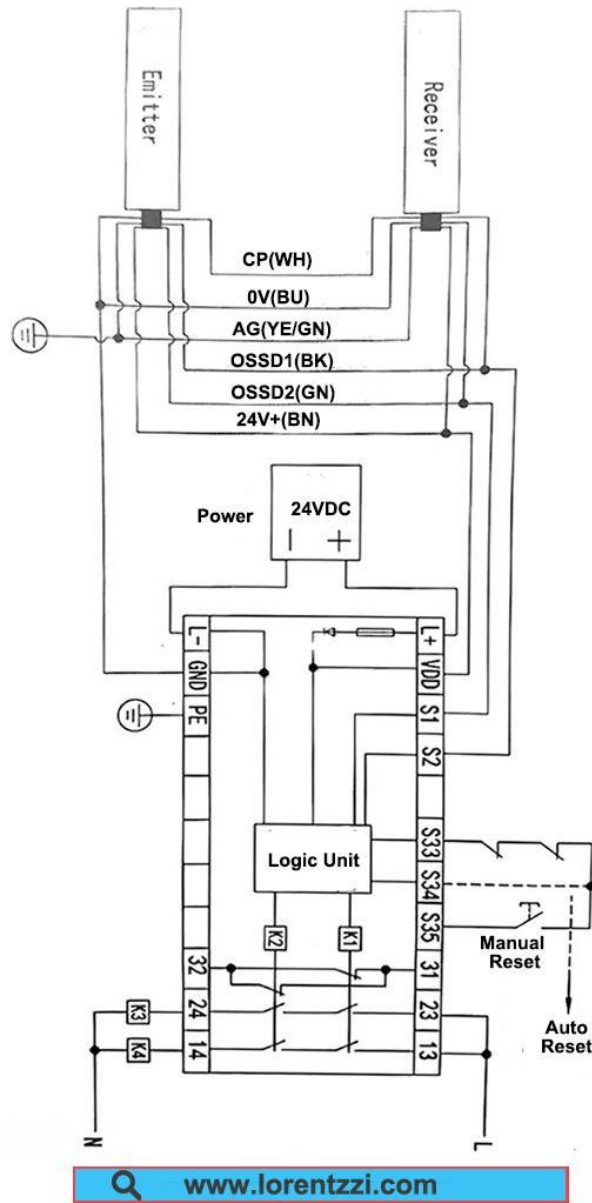


SC4P3A1B24 Model Safety Relay And Safety Light Curtain Wiring Diagram:

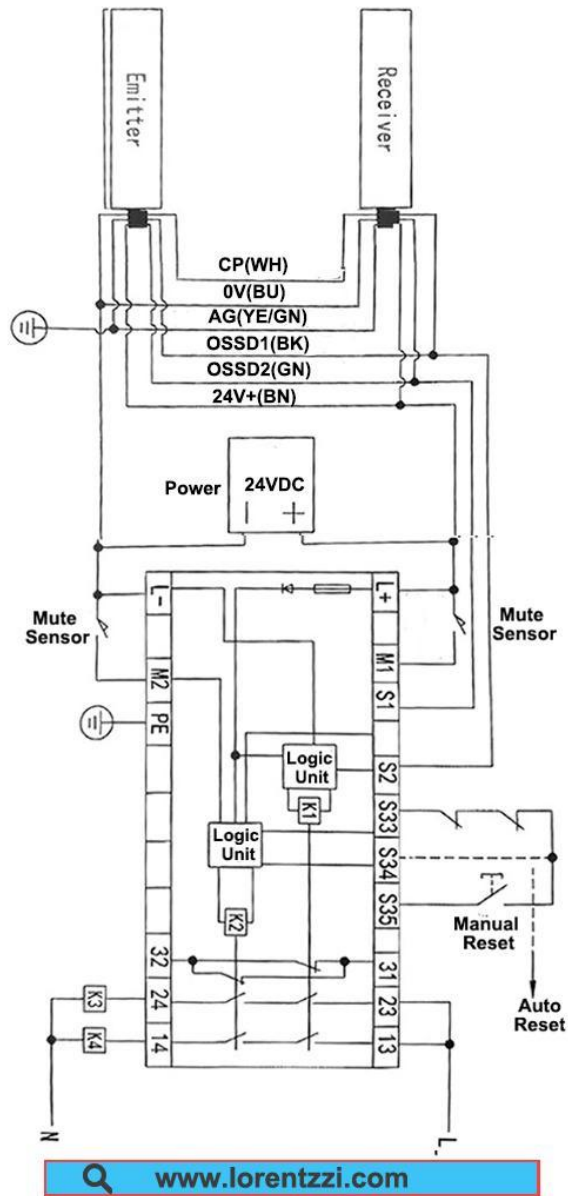
SC4P3A1B24 is connected to the emergency stop button; shorting S3 activates automatic reset.



SC4P2A1B24N/P Model Safety Relay And Safety Light Curtain Wiring Diagram:

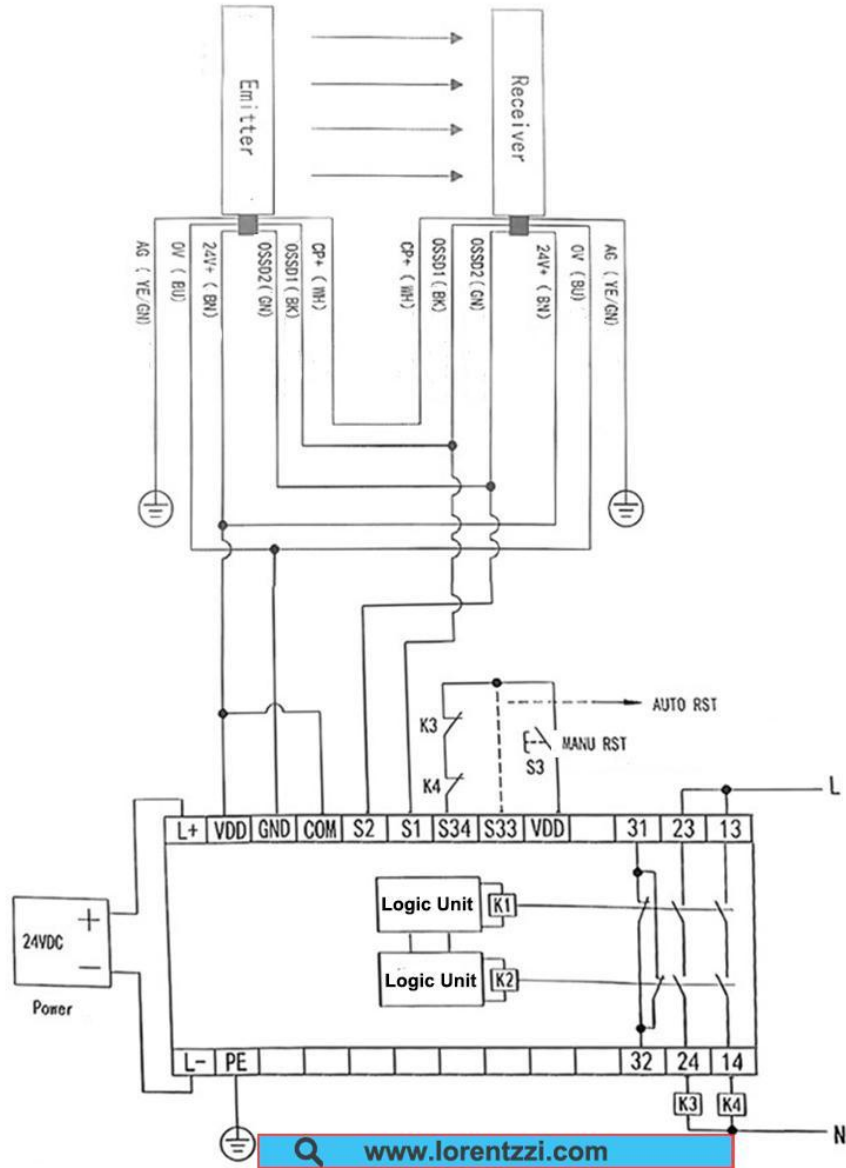


SC4P2A1B24N/P-M Model Safety Relay And Safety Light Curtain With Muting Sensors Wiring Diagram:

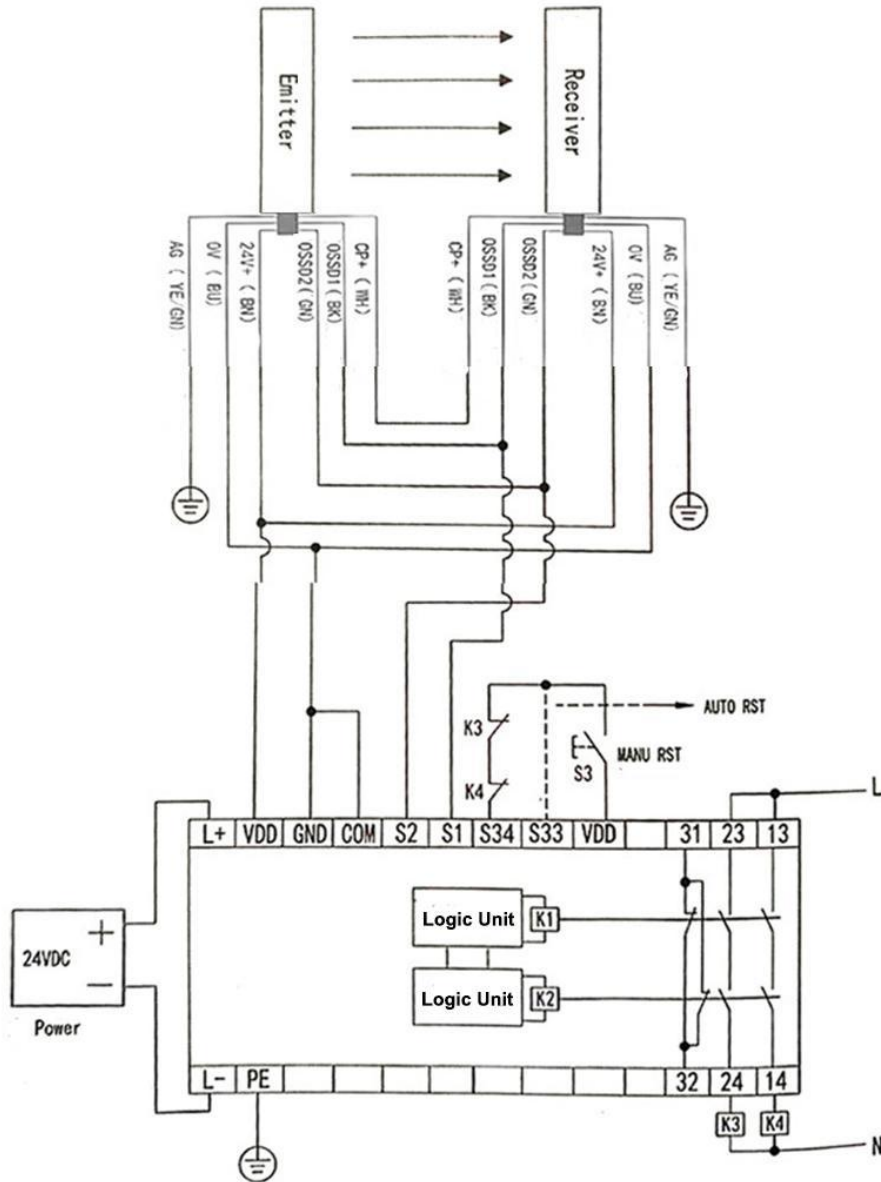


SC4P2A1B24C Safety Relay With Safety Light Curtain Wiring Diagram:

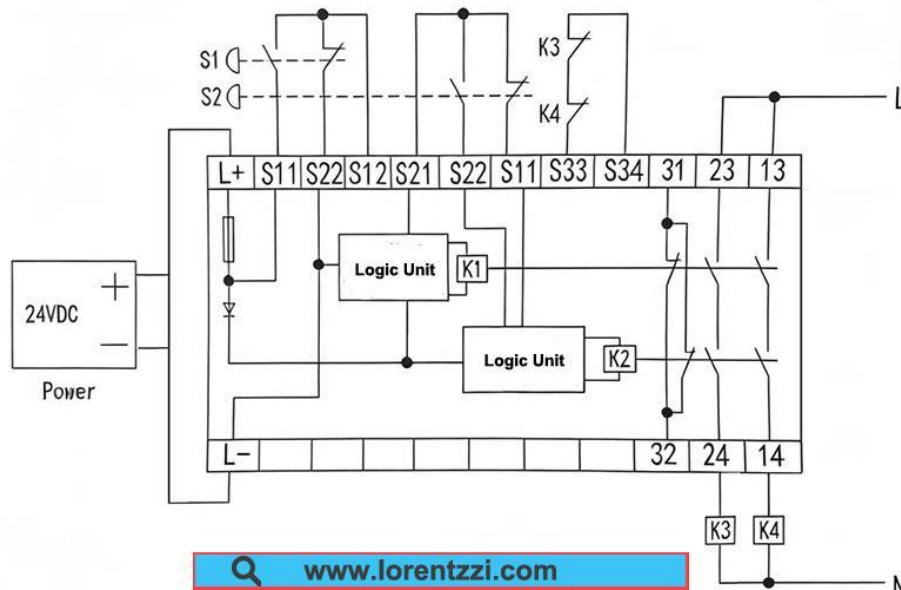
Wiring SC4P2A1B24C with NPN output Safety Light Curtain



Wiring SC4P2A1B24C with PNP output Safety Light Curtain



SC4P2A1B24S Safety Relay And Two-hand Button Wiring Diagram:



SC2P4A24 Safety Relay Wiring Diagram:

The expansion module and emergency stop wiring, shorting S3 enables automatic reset.

