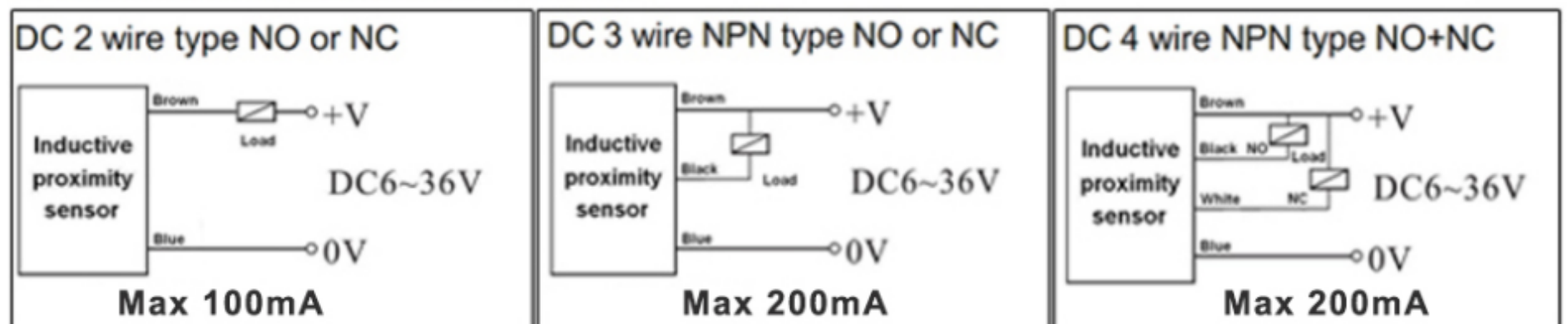


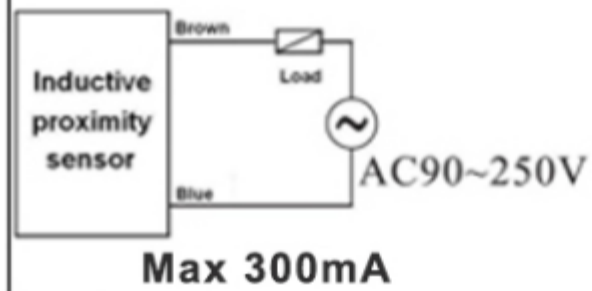
		Detection distance		5mm
Flush	DC 6 ~ 36 V	NPN	NO	TL-W5E1 / LMF29-3005NA
			NC	TL-W5E2 / LMF29-3005NB
			NO+NC	TL-W5E3 / LMF29-3005NC
	PNP	NO	TL-W5F1 / LMF29-3005PA	
		NC	TL-W5F2 / LMF29-3005PB	
		NO+NC	TL-W5F3 / LMF29-3005PC	
	two wire system	NO	TL-W5D1 / LMF29-3005LA	
		NC	TL-W5D2 / LMF29-3005LB	
	AC 90 ~250 V	SRC Control label silicon	NO	TL-W5Y1 / LMF29-2005A
			NC	TL-W5Y2 / LMF29-2005B
NO+NC				
Relay output				
Non-flush	Detection distance			
	DC 6 ~ 36 V	NPN	NO	
			NC	
			NO+NC	
	PNP	NO		
		NC		
		NO+NC		
	two wire system	NO		
		NC		

AC 90 ~250 V	SRC Control label silicon	NO	
		NC	
		NO+NC	
	Relay output		
Control output	DC		200mA
	SCR/Relay		300mA
Output voltage dropDC/AC			DC < 3V , DC (Two wire system) < 3.9 , AC < 10V
Consumption current			DC<15mA AC<10mA
Standard detected object			18×18×1(A3 iron)
Repeated precision			0.02
DC/AC Response frequency			300Hz
Working environment temperature			-25℃~70℃
Insulation resistance			≥50MΩ
Shell material			ABS Resin
Protection grade			IEC standard IP67
Alternative model at home and abroad			

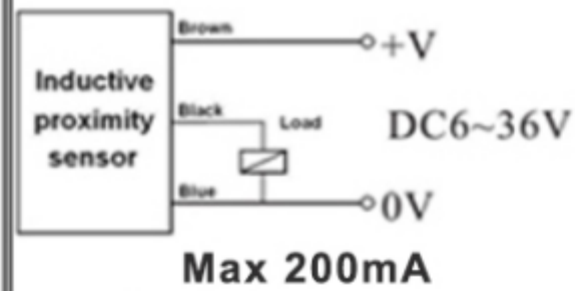
**Series connection and parallel connection:**



AC 2 wire type NO or NC



DC 3 wire PNP type NO or NC



DC 4 wire PNP type NO+NC

