

# Operating Instruction

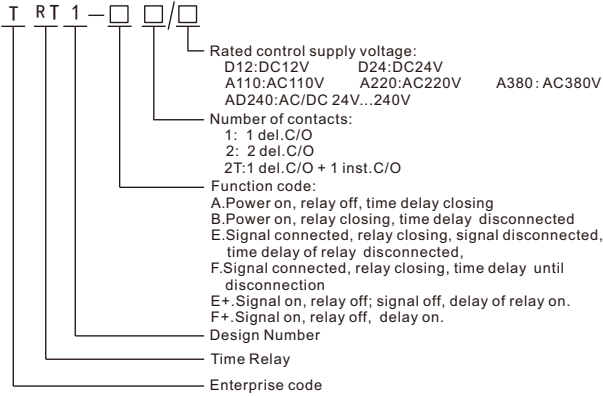
# TRT1 Series Time Relay

# TRT1-A/B/E/F/E+/F+

### Function Features

- Compact in size, with a width of only 18mm that can be mounted onto 35mm symmetric DIN rail.
- A wide time delay range of 0.1s...100h.
- Repeatable accuracy  $\leq 0.2\%$ .
- Built-in high-performance microcontroller with strong resistance to interference and high reliability.
- Various rated supply voltage specifications available.
- LED indicator lamp indicates “power ON” and “time delay” states.

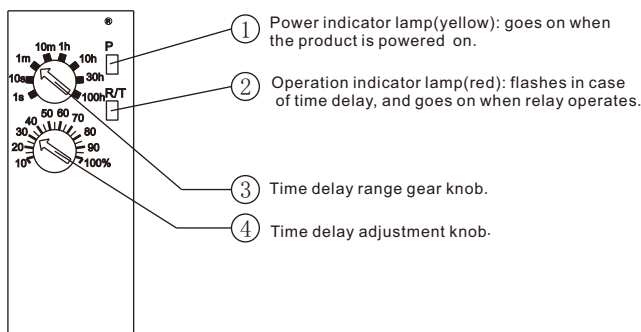
### Model and Connotation



### Main Technical Parameters

Rated control supply voltage	DC12V, DC24V, AC/DC 24V...240V AC110V, AC220V, AC380V 50/60Hz Allowable fluctuation range: $\pm 15\%$
Range of time delay	0.1s...100h(selection through knob)
Setting accuracy	$\pm 10\% \pm 100\text{ms}$
Repeatable accuracy	$\pm 0.2\% \pm 50\text{ms}$
Power-up repetition interval	$>= 0.2\text{s}$
Rated insulation voltage	AC415V
Utilisation category	AC-15
Contact capacity	1th:5A;Ue/Ie AC240V/1.5A, AC380V/0.95A
Electrical durability	100000 cycles
Mechanical durability	1000000 cycles
Pollution degree	3
Degrees of protection	IP20
Uimp	4kV
SCPD	NT00-6A
Power consumption	AC: $\leq 1\text{W}$ DC: $\leq 0.5\text{W}$
Storage temperature	$-25...55^\circ\text{C}$ , Up to $70^\circ\text{C}$ in a short time (24h)
Permissible relative humidity	$\leq 50\%(40^\circ\text{C})$ (No condensation)
Operation temperature	$-5...40^\circ\text{C}$
Height above sea level	$\leq 2000\text{m}$
Installation	Screw mounting or DIN rail mounting

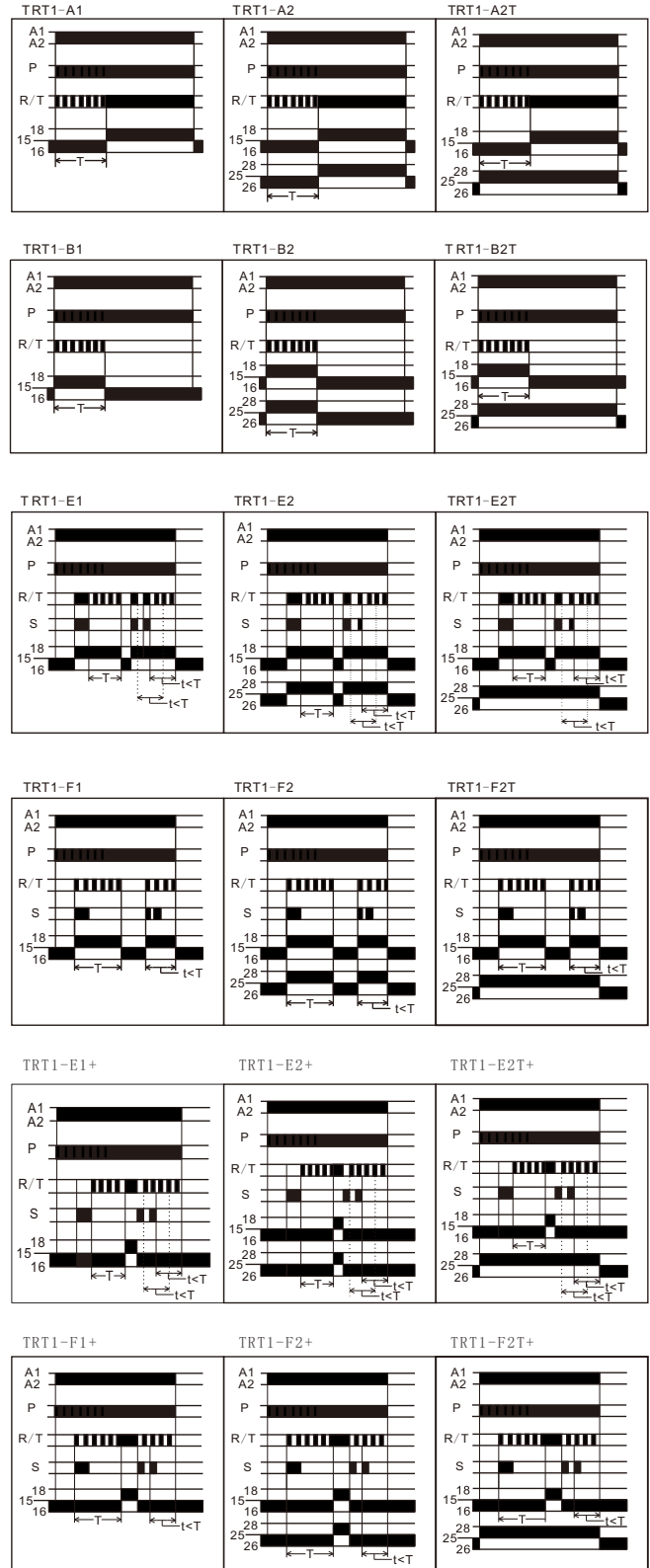
### Panel Diagram



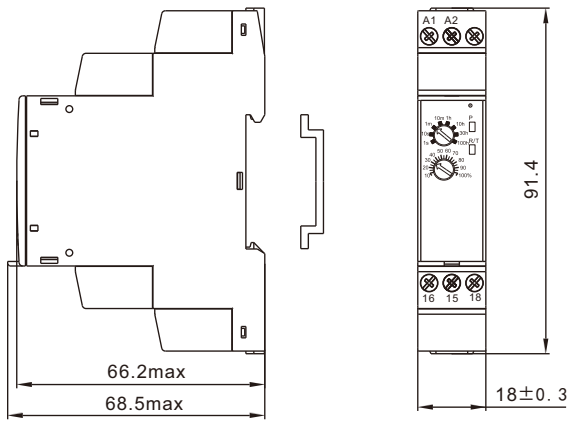
### Operating Instructions

- 1.Yellow indicator lamp indicates the power ON state of relay and would go ON when relay is powered on, or it would go OFF. Flashing of red indicator lamp means the time delay is in progress; constant ON indicates relay operation.
- 2.Please set the relay before power-on since the setting of relay made after power-on would become effective at the next power-on.

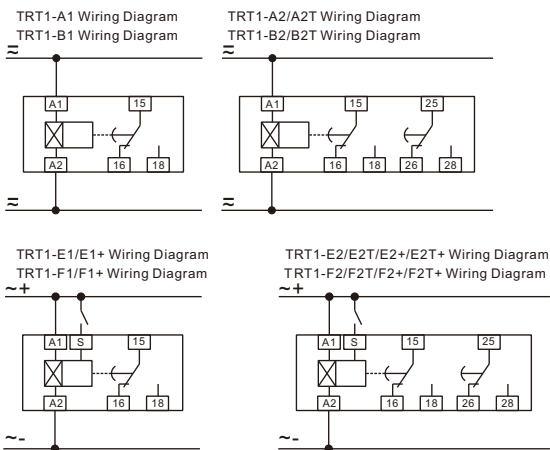
### Operational diagram



□ Diagram of Overall Dimensions



□ Wiring Diagram



**Warning**

1. This product shall be installed, operated and maintained by professional personnel.
2. Whether or not the product functions normally, user shall not dismantle or repair the said product without permission, and we shall not assume any responsibility for the accident as a result thereof.
3. Please refer to the wiring diagram in Operation Instructions when arranging wires.
4. Never place power input line in the same conduit with other wires with heavy current. Please use shielded wire if necessary so as not to bring about interference that may influence the normal operation of relay.
5. Do not use this product in areas with dust, corrosive gases and with exposure to direct sunlight and rain.
6. Never use this product in medium with explosion hazard and with gases that may corrode metals and destroy the insulation, and do not use this product in a space with conductive dust.
7. Please store and use this product at rated supply voltage and stated temperature, height above sea level and humidity.
8. Failure to follow these instructions can result in death, serious injury, or equipment damage.
9. The warranty period of this product shall be 18 months under normal use.