



AH2 series

Multi-range Delay-on timer

The AH2 series analogue timer is a time-limited type of timer. It has a variety of time setting ranges and voltages you can choose, it is mainly used for equipment control.

Mounting & Socket:

Surface (-N): PF083A(E)/PS-08

Flush (-Y): US-08/P3G-08

Description

- Multi-range analogue timer
- Customized CMOS IC for low power consumption, high operation stability and extreme timing accuracy
- 15 different time ranges available, from 0.1sec to 24hour
- Large transparent knob for easy adjustment and monitoring

Product selection

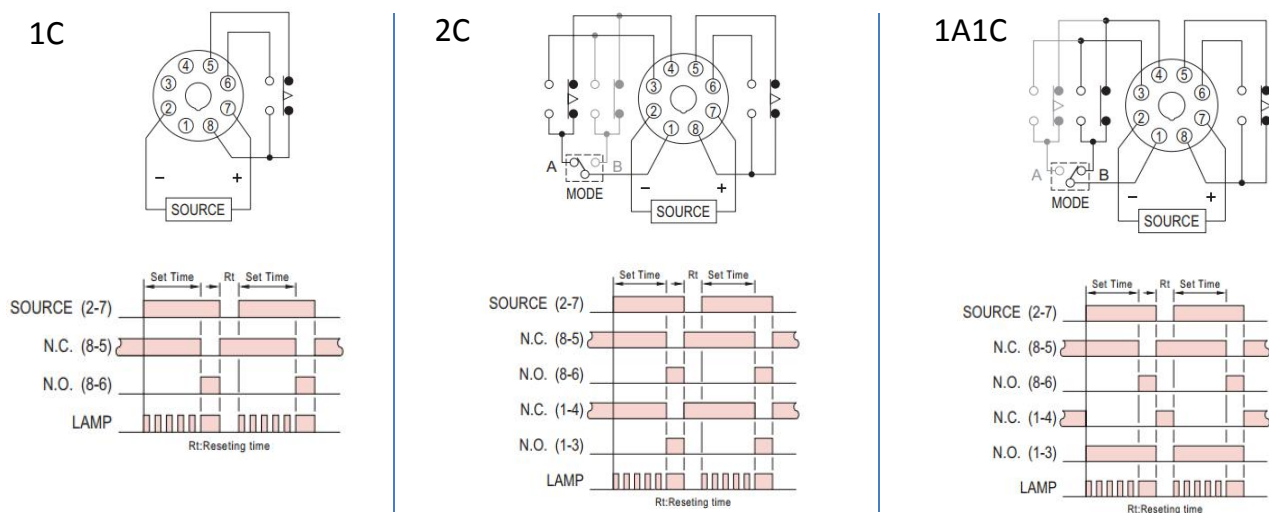
Type	Output contact	Time range	Operation voltage	
AH2-N1	1C	Second:1/3/6/10/12/30/60S Minute:3/6/12/30/60M Hour:3/6/10/24H	DC(V): 12,24	
AH2-Y1				
AH2-N2	2C		AC(V): 12, 24, 110, 220, 240 50/60Hz	
AH2-Y2				
AH2-N	1A 1C			Allowable 85~110% of rated operating voltage
AH2-Y				

Technical data

Indicator operating	ON-UP Two indicator lamp
Contact rating	250VAC 5A (resistive load)
Life	Mechanical 5×10 ⁶ times
	Electrical 1×10 ⁵ times

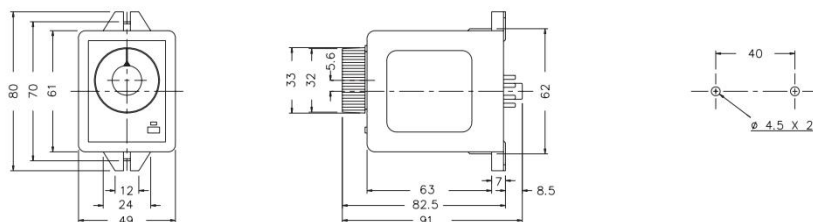
Accuracy	Repeat error	±1.0%max
	Setting error	±10.0%max
	Voltage error	±1.0%max
	Temperature error	±2.0%max
Reset time	Max 0.1sec	
Insulation resistance	100MΩ (DC 500V) min	
Class of protection	1500VAC	
Permitted ambient temperature	-10 ~ +50 °C (non-icing)	
Power consumption	3VA	

Wiring diagram & Timing chart



Dimensions

N type



Y type

