

ST3PA, ST3PC time relay manual

ST3P series time relay has the advance of small size, light weight, high delay precision, wide delay range, good reliability, long life etc., is most fit to various occasion of requiring high accuracy, high reliability control.

■Main technical parameters

Repeat error: <math><0.5\%+20\text{ms}</math>

Contact form: ST3PA: On-delay DPDT

ST3PC: On-delay SPDT with SPDT instantaneous

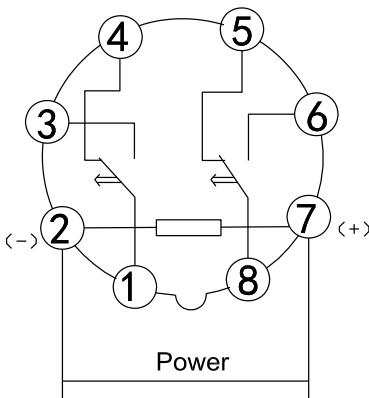
Supply voltage: 24, 36, 48, 110, 220 or 380 Vac; 12 or 24 Vdc

External dimensions: 50x40x57.5 mm

■Delay range:

Code	2 4	1 4	2 3	1 3
A	0.05-0.5s	0.5-5s	5-30s	30s-3min
B	0.1-1s	1-10s	10-60s	60s-6min
C	0.5-5s	5-50s	50s-5min	5-30min
D	1-10s	10-100s	100s-10min	10-60min
E	6-60s	60s-10min	10-60min	60min-6h
F	0.2-2min	2-20min	20min-2h	2-12h
G	0.4-4min	4-40min	40min-4h	4-24h

■Wiring diagram

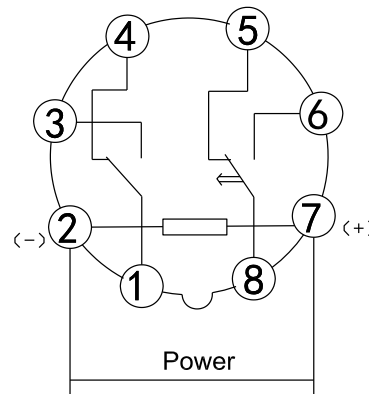
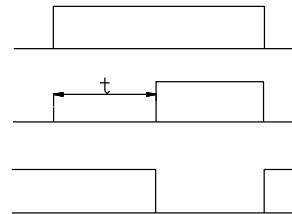


ST3PA

Power 2-7

DPDT-ON 1-3 8-6

DPDT-OFF 1-4 8-5



ST3PC

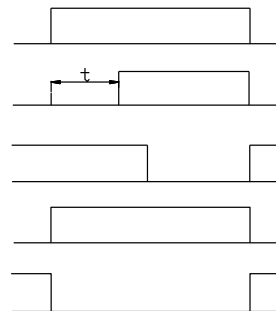
Power 2-7

SPST-ON 8-6

SPST-OFF 8-5

SPDT-ON instantaneous 1-3

SPDT-OFF instantaneous 1-4



■Change the delay time

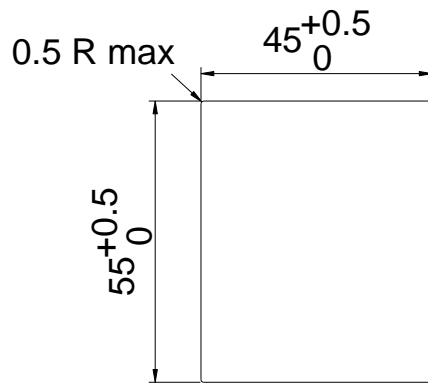
1. Dial the knob
2. Remove the scale plate(2pcs) by tool
3. Adjust the dial switch to corresponding delay time

- Put the scale plate into the case tank, the dial switch's position should be same as the position mark of scale plate
- Mounting the knob

■ Mounting type

- Plug-in socket: may choose the relay socket PF083A, PF085A, US-08. Order additional.
- Panel: may choose the time relay accessories FTRF01, FTRF02. Order additional.

■ Panel cutout: 50.5x40.5 mm Panel thick: 1-3mm



■ Note

- Connect the wires according to wiring diagram rightly, and pay attention to the polarity of the DC supply voltage, terminal 7 connect to "+", terminal 2 connect to "-";
- The supply voltage should be 85% to 110% rated supply voltage;
- The knob should not exceed the range of the scale, "0" don't mean 0 seconds, it mean the setting min value;
- Turn the knob during the relay delay, current delay time will be incorrect;
- When repeat delay, the setting time space should be greater than 500ms;
- Don't remove the case, avoid to electric shock, then cause relay damage or malfunction.

This product complies with GB14048.5-93